

# VON DUPRIN®

## Integrated security solution

with Remote Undogging (RU) and Remote Monitoring (RM) options and Sielox Pinnacle System

### Sielox®



### Overview

Von Duprin®'s Remote Undogging (RU) and Remote Monitoring (RM) options are designed for doors that would typically go unaddressed with traditional access control solutions due to cost and complexity. They provide the right level of features and functionality for the application and compliment traditional solutions to deliver a more comprehensive security package.

For non-fire-rated applications, the RU option provides electronic override of mechanical dogging with confirmation of door status for daily lock-up or emergency lockdown. This offers assurance and peace of mind in addition to delivering improved efficiency.

The RM option is a sensor only configuration for panic or fire-rated application with request to exit (RX), latchbolt monitor (LX) and door position (DPS) switches. It provides a more complete view of door status to address issues such as door props, which can pose daily security risks as well as preventing effective implementation of emergency lockdown.

These flexible and scalable options enable you to cost effectively upgrade existing devices. The RU and RM are battery powered kits that retrofit existing 98/99 and 33A/35A devices. They connect wirelessly to the integrated access control system to eliminate the need to run wires to each opening.

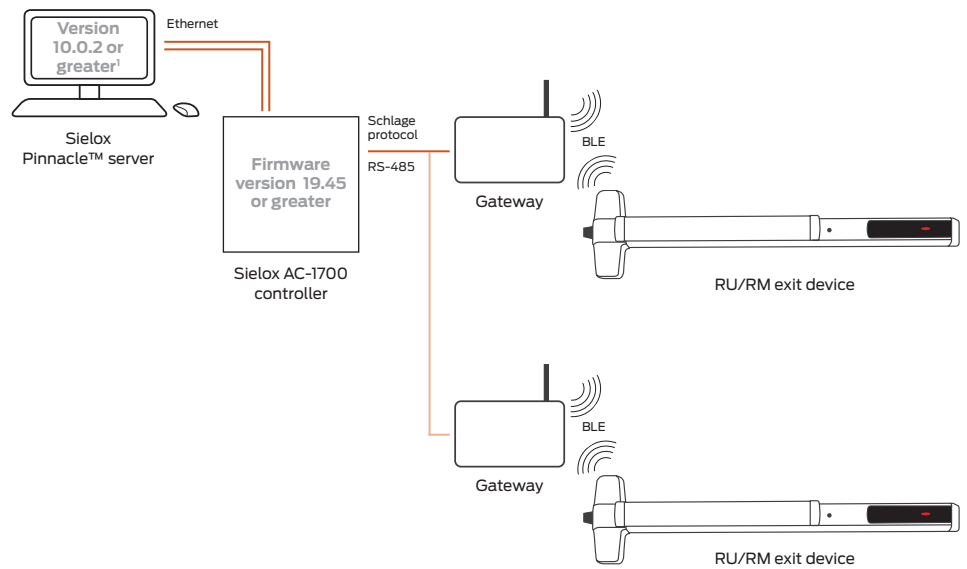
### System capabilities

- Modular kit compatible with 98/99 and 33A/35A Series devices
- Enables undogging for centralized lockdown
- Enables comprehensive view of door status via request to exit (RX), latchbolt monitor (LX) and door position switch (DPS)
- Powered by four (4) standard off-the-shelf AA batteries
- ANSI/BHMA A156.25, ANSI/BHMA Grade 1, UL 294, UL10C, FCC Part 15, ADA, RoHS, Industry Canada (IC)

## RU/RM option via Gateway (RS-485) with Sielox Pinnacle System and Sielox 1700 controller

- AC-1700 controller supports up to 32 Von Duprin exits
- AC-1700 controller supports a maximum of 16 gateways per RS-485 port
- Each AC-1700 controller has one RS-485 port
- Gateway communication range up to 30' in typical building environments and a detailed site survey is recommended\*

\* Reference ENGAGE Gateway data sheet for additional details.



Note:

Please refer to RU/RM and ENGAGE Gateway data sheets for complete specifications.

---

**System capabilities:**

---

RU/RM via  
Gateway (RS-485)

---

**Features**

Maximum number of modules supported by controller	32
Maximum number of modules supported via network access	N/A
Maximum number of gateways per controller/Host	16
Maximum number of RU/RM per gateway	10
Access control decision made by Host software or by lock database	Host
Remote linking capability via Host	Yes
Remote unlinking capability via Host	Yes
Update frequency	Real-time
Schedules	Yes
Holiday	Yes

**Status monitors**

Request to exit	Yes
Door position	Yes
Latch bolt monitoring	Yes
Mechanical dogging override	Yes
Dog on next exit	Yes
Low battery status	Yes
Communication Status BLE/RS-485	Yes
Remote lockdown	Yes (<5 sec)

**Licensing**

Please contact Sielox to determine licensing requirements

---

Allegion, the Allegion logo, Von Duprin and the Von Duprin logo are trademarks of Allegion plc, its subsidiaries and/or affiliates in the United States and other countries. All other trademarks are the property of their respective owners.

## About Allegion

Allegion (NYSE: ALLE) is a global pioneer in safety and security, with leading brands like CISA®, Interflex®, LCN®, Schlage®, SimonsVoss® and Von Duprin®. Focusing on security around the door and adjacent areas, Allegion produces a range of solutions for homes, businesses, schools and other institutions. Allegion is a \$2 billion company, with products sold in almost 130 countries. For more, visit [www.allegion.com](http://www.allegion.com).

**KRYPTONITE** ■ **LCN** ■  ■ **STEELCRAFT** ■ **VON DUPRIN**



© 2018 Allegion  
012193, Rev. 04/18  
[www.allegion.com/us](http://www.allegion.com/us)

For additional information contact Sielox: 1.856.939.9300 or <http://www.sielox.com>